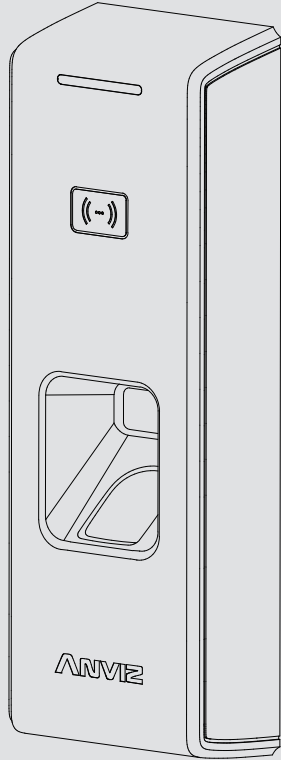
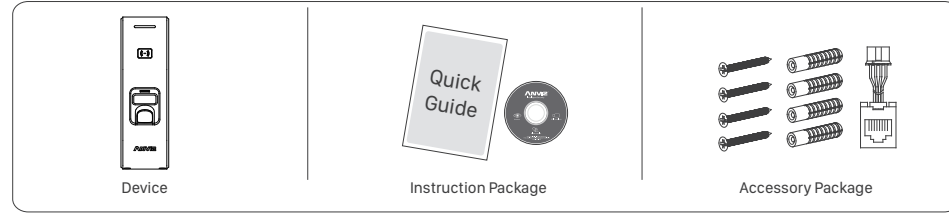


# C2 Slim

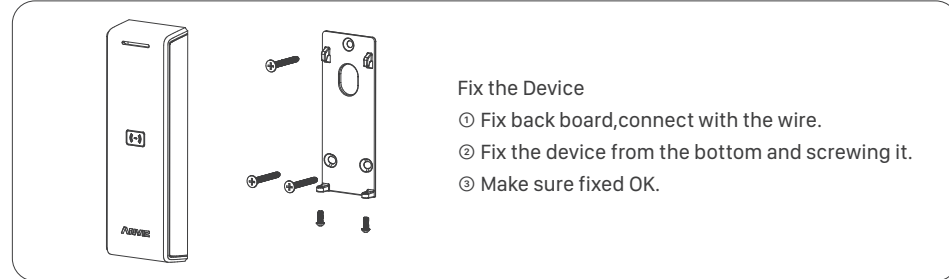
Fingerprint and RFID card terminal  
Quick Guide v1.0



## 1. Packing list



## 2. Installation Diagram & Installation Step



## 3. Device interface and definition description

### P7 interface definition

Series	Definition		
1	RJ 45 4-5	POE	
2	RJ 45 7-8		
3	RX-		
4	RX+		
5	TX-		
6	TX+		
7	GND		GND
8	485B		RS485
9	485A		

### P9 interface definition

Series	Definition		
1	NC	Relay	
2	COM		
3	NO		
4	GND		GND
5	GND		GND
6	12V		Power

### P8 interface description

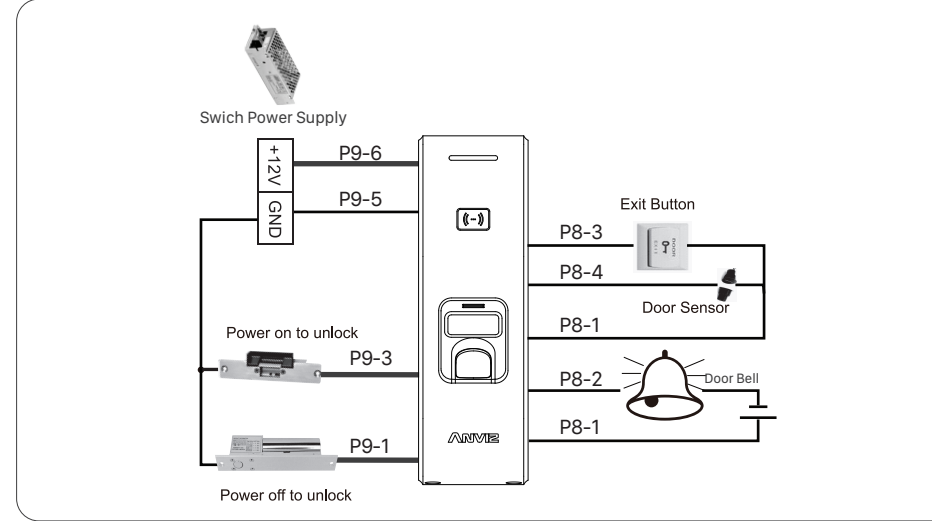
Series	Description	
1	GND	
2	ALARM	
3	D/S	Exit button
4	D/M	Door Sensor
5	WI1	Wiegand input
6	WI0	GND
7	GND	GND
8	WO1	Wiegand output
9	WO0	GND

### \* Important notice:

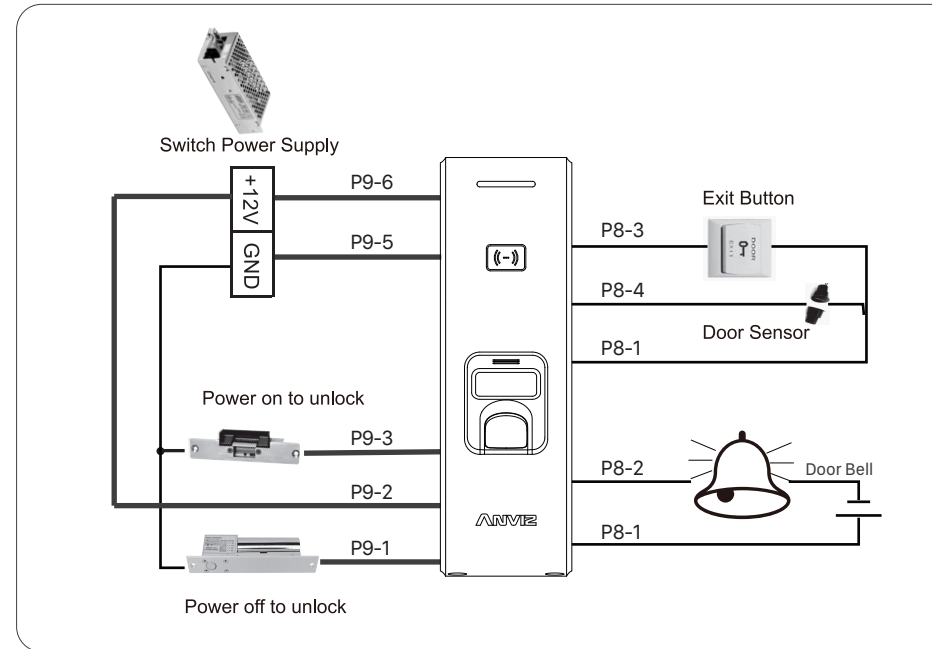
Please follow the wiring diagram as it is displayed. Damaged products due to improper wiring are not covered by product warranty.

wiegand input/output settings: to connect C2 slim with CrossChex management software, and choose "device management" terminal parameters(Wiegand options (C2 slim)) to set up.

## 4. Access Control Reader & Switching Power Supply

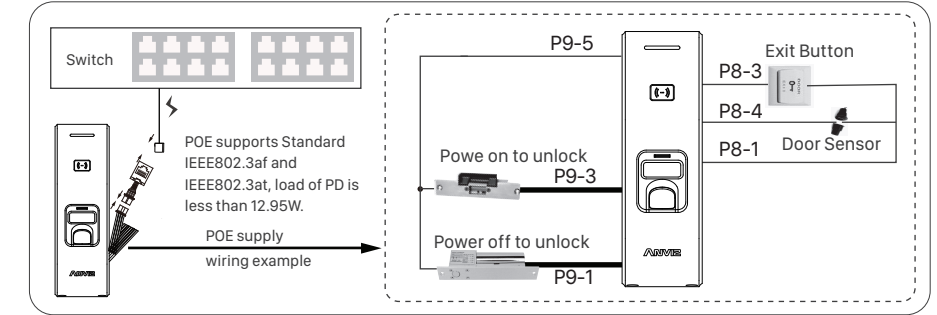


The following wiring is recommended to prevent damage to the device when load is large.



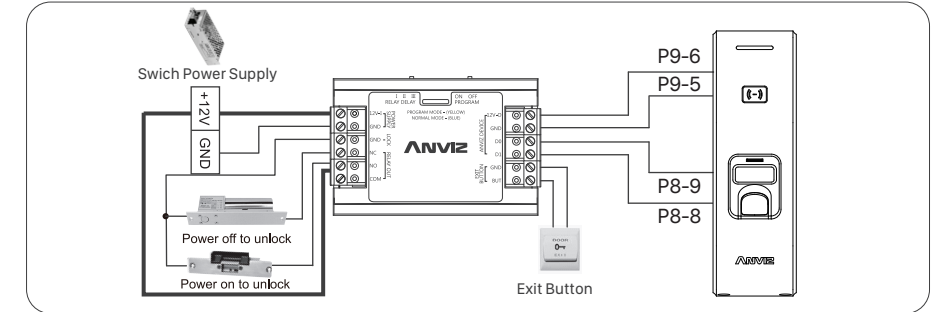
## 5. Power Over Ethernet Supply

Power Over Ethernet provides device network communication and the power is enough for both device and lock working. Total load should not exceed 12.95W when using POE supply for directly triggering the electric lock to prevent damage to C2 slim.

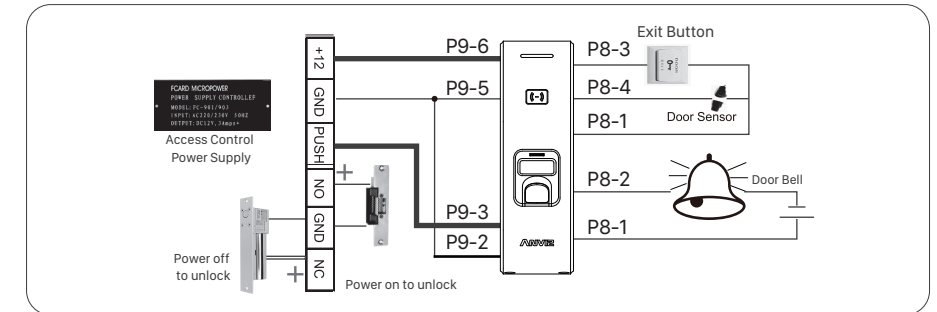


## 6. Access Control Reader & SC011

SC011 can work with C2 slim by Anviz encrypt wiegand code authorized to set up a distributed Access control system. You can buy SC011 from our sales.

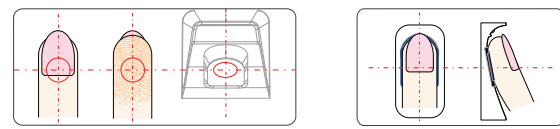


## 7. Access Control Reader & Access Control Power Supply



## 8. Verify the Fingerprint

### • Correct method:



Place finger in the center of the sensor.

Place finger flatly and smoothly on the sensor.

### • Incorrect method:



Finger not placed on the center of the sensor.

Finger placed inclined.

Use of fingertip.

### \* NOTE:

- It is better for each user to register two fingerprints in case of one finger can't work.
- Place Finger flat and make sure the center of the finger is on the center of scanner window and press a little hard on scanner, so it can scan as large finger area as possible to extract enough minutia.
- Keep the angle and direction of finger the same each time placing on scanner.
- If your finger has sweat or water, please dry it first and then register the finger.
- If your finger is too dry, make it a little wet or touch the forehead to increase the wetness of the finger, press a little hard on scanner. (The dry finger can cause the finger image not coming out clear enough.)
- Avoid the callus, peeling, or injury of the finger to ensure the register and identification successful.
- You can register the thumb first, and then index finger or middle finger to increase the precision.

## 9. Operation Guide

### ■ Important:

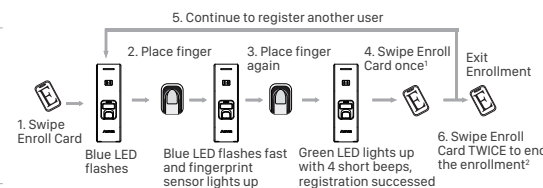
C2 slim is suitable for DC12V power supply only. When connect to DC12V power supply, the indicator light displays blue and flashes fast. Meanwhile, the backlights of fingerprint sensor turn on with beeps.

### ■ Register User:

#### • Add One Fingerprint per User Only:

#### \*Note:

1. After finish enrolling current user, please swipe enroll card and then continue register another user.
2. After finish enrollment, please swipe enroll card TWICE to exit enroll status.



#### ▲ Notice:

When you place finger on C2 slim, Red LED flashing with two long beeps means the finger has been registered.

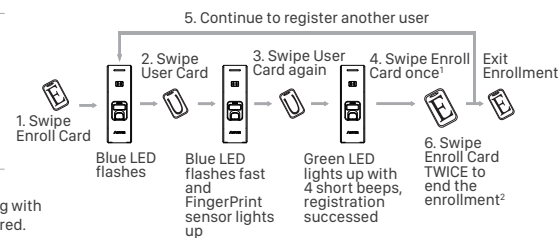
#### • Add Card Only:

#### \* Note:

1. After finish enrolling current user, please swipe enroll card and then continue register another user.
2. After finish enrollment, please swipe enroll card TWICE to exit enroll status.

#### ▲ Notice:

When you swipe card on C2 slim, Red LED flashing with two long beeps means the card has been registered.

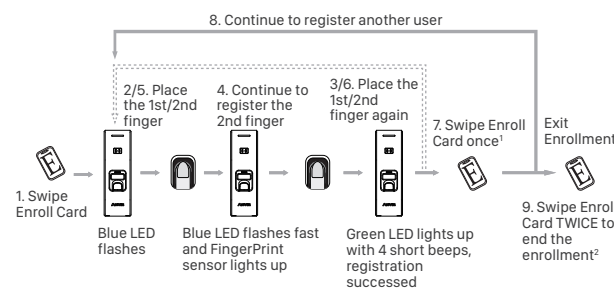


#### • Add Two Fingerprints of one User:

Two fingerprints belongs to one user ID.

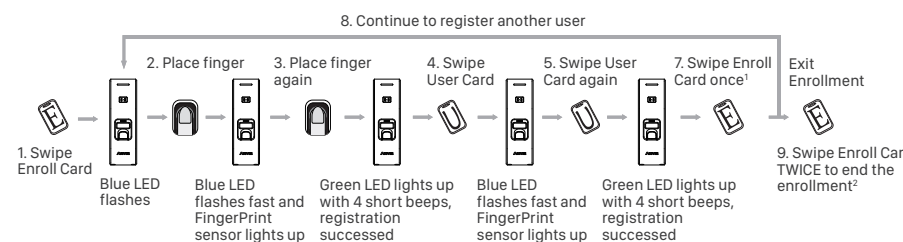
#### \* Note:

1. After finish enrolling current user, please swipe enroll card and then continue register another user.
2. After finish enrollment, please swipe enroll card TWICE to exit enroll status.



#### • Add Fingerprint and Card of one User:

The wiegand output of fingerprint and card are the same.



#### ▲ Note:

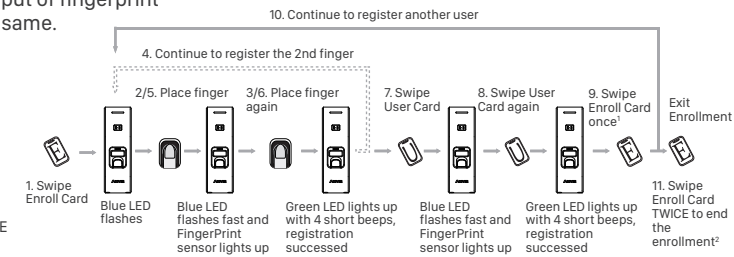
1. After finish enrolling current user, please swipe enroll card and then continue register another user.
2. After finish enrollment, please swipe enroll card TWICE to exit enroll status.

#### • Add Two Fingerprints and Card of one User:

The wiegand output of fingerprint and card are the same.

#### Note:

1. After finish enrolling current user, please swipe enroll card and then continue register another user.
2. After finish enrollment, please swipe enroll card TWICE to exit enroll status.



#### ■ Delete User:

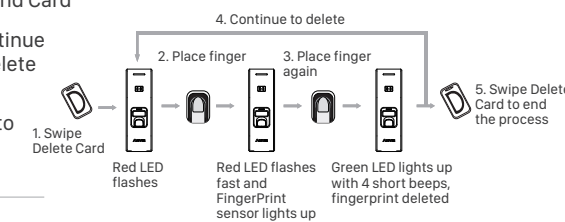
#### • Delete Fingerprint or Fingerprint and Card

After delete one user, you can continue to delete another user or swipe Delete Card to save and exit.

When fingerprints or card belong to one user ID, you can delete either one to delete this user.

#### \* Notice:

When you place finger on C2 slim, Red LED flashing with long beeps means the fingerprint does not exist in the device.

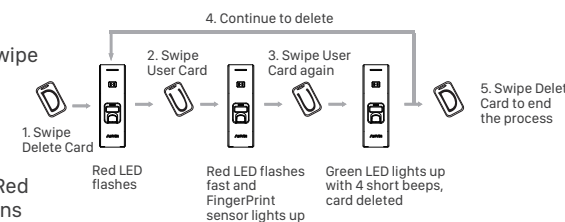


#### • Delete Card:

After delete one user, you can continue delete another user or swipe Delete Card to save and exit.

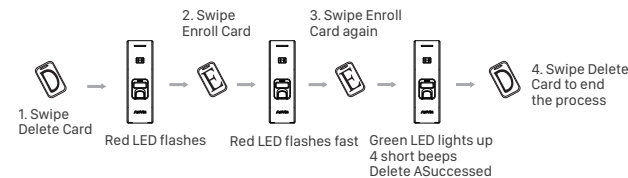
#### Notice:

When you swipe card on C2 slim, Red LED flashing with long beeps means the card does not exist in the device.



#### • Delete All Users

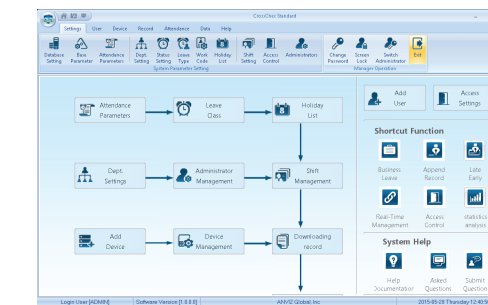
Delete all uses fingerprints and cards, the device parameter setting do not change.



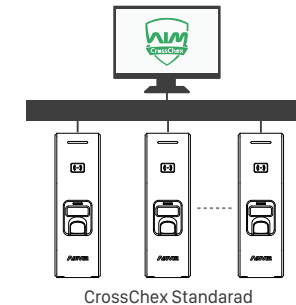
## 10. Working with Management Software

### ① Install the Management Software on Computer

Put the CD in the management computer. The installation program will run automatically.



How to connect C2 slim with Software?  
Connect C2 slim to Network



### ② Enable Communication between C2 slim and the Management Software CrossChex.

- Turn on management software CrossChex
- Go to Device tab. Search and Add the C2 slim to management software CrossChex
- Click Synchronize Time button to communicate with C2 slim. If Synchronize is successful, the device icon will turn to blue.

### ③ The Management Software CrossChex Features.

- Device\Backup User:Download user info from C2 slim to CrossChex
- Device\Download Records:Download records from C2 slim to CrossChex
- User\Modify:Edit name or other user info. Then click 'Upload User' to Upload user info to C2 slim device.
- Record \Search:Search and view the records
- Attendance:Calculate, Search results and Generate reports
- Data\Backup Database;Backup Database
- Setting\Shift:Set up Time Table and Scheduling
- Device\Device Parameter:Set up device, Clear records on C2 slim or Reset C2 slim to factory settings.

Any questions? Please feel free to send emails support@anvic.com to get support.