

iCam-D25

5MP AI IR Mini Dome Network Camera



SD Card



Cloud



Edge AI



5MP



Audio





Wi-Fi

iCam-D25 is an indoor super mini camera with 5MP QHD resolution and stylish design. The perfect combination of Intelligent Infrared and day/night function greatly improve the visibility effect in the dark and low-light environments. The iCam-D2 series supports standard H.264/H.265 and also the standard onvif protocol. The optional Wi-Fi model(-W) offers wireless communication and easily setup. The edge storage SD card slot can support up to 128GB micro SD card. The device has built-in person detection and vehicle detection functions and you can easily get event alarm from the IntelliSight mobile APP. The Built-in Microphone and Speaker interface support audio events and two-way audio.

iCam-D25

5MP AI IR Mini Dome Network Camera

Specifications

		
Model	iCam-D25	iCam-D25W
Camera		
Image Sensor	1/2.7" 5 Megapixel Progressive Scan CMOS	
Max. Resolution	2880(H)x1620(V)	
Shutter Time	1/12s ~ 1/10000s	
Minimum Illumination	Color: 0.01Lux @(F1.2,AGC ON)	
	B/W: 0Lux @(IR LED ON)	
Day/Night	IR-CUT with Auto Switch/Scheduled	
WDR	HDR	
BLC	Support	
Lens		
Mount Type	Fixed M12	
Focal Length	2.8mm (0.11")	
Aperture	F1.8	
FOV	105°(H)	
Iris Type	Fixed	
Illuminator		
IR Range	Up to 10m (393.70')	
Wavelength	850nm	
Audio		
Audio Compression	G.711, G.726, AAC-LC	
Audio Type	Mono	
Audio Capability	Environmental Noise Filter, Echo Cancellation, Two-way Audio	
Video		
Video Compression	H.264, H.265	
Video Bit Rate	512kbps ~ 16mbps	
Resolution	Main Stream (2880*1620, 2560*1440, 1920*1080, 1280*720)	
	Sub Stream (1920*1080, 1280*720, 704*576, 640*480)	
	Third Stream (1280*720, 704*576, 640*480)	
Region of Interest (ROI)	4 Fixed Regions for Each Stream; Target Cropping of Third Stream	
Image		
Image Setting	Saturation, Brightness, Contrast, Sharpness, Auto white balance	
Image Enhancement	Lens Distortion Correction, Defog, 2D/3D DNR	
S/N Ratio	39dB	
Dynamic Range	>100dB	
Others	OSD, Image Flip, Picture Overlay	
Smart Events		
Video Analytics	Defocus Detection, Scene Change Detection, Occlusion Detection	
Smart Events	Intrusion Detection, Line Crossing Detection, Region Entrance Detection, Region Exiting Detection, Loitering Detection	
Deep Learning Events	Vehicle Detection, Face&Pedestrian Detection, Face Match (-P), ANPR (-C)	
Network		
Protocols	TCP/IP, ICMP, HTTP, HTTPS, FTP, DHCP, DNS, DDNS, RTP, RTSP, RTCP, PPPoE, NTP, UPnP, SMTP, SNMP, IGMP, IPv4, IPv6	
Compatibility	ONVIF, GB28181, CGI API	
Management	IntelliSight Cloud Desktop Software, IntelliSight Mobile APP	
Interface		
Ethernet	1 RJ45 (10/100Mbps)	
Wi-F	/	IEEE 802.11 b/g/n
Storage	Built-in MicroSD/SDHC/SDXC Slot, up to 128 GB	
Audio	1 Built-in Mic, 1 Built-in Speaker	
Key	Reset Button	
General		
Power Supply	DC12V 1A/POE (IEEE 802.3af)	
Power Consumption	<6W	
Operating Conditions	-10°C to 50°C (14°F to 122°F), Humidity: 10% to 90% (No Condensation)	
Certifications	CE, FCC, RoHS	
Weight	1.5KGS	
Dimensions	Ø100.4*50.7mm (Ø3.95*2.00")	

iCam-D25

5MP AI IR Mini Dome Network Camera

■ Features



High Definition up to 5M pixels

5MP high resolution provides more detailed images of person, faces, and more.



True Day/Night

The perfect combination of Infrared LEDs and automatic IR cut filter, greatly improve the visibility in dark and low light environment.



Built-in Microphone and Speaker

Built-in Microphone and Speaker interface support audio events and two-way audio.



Smart Events

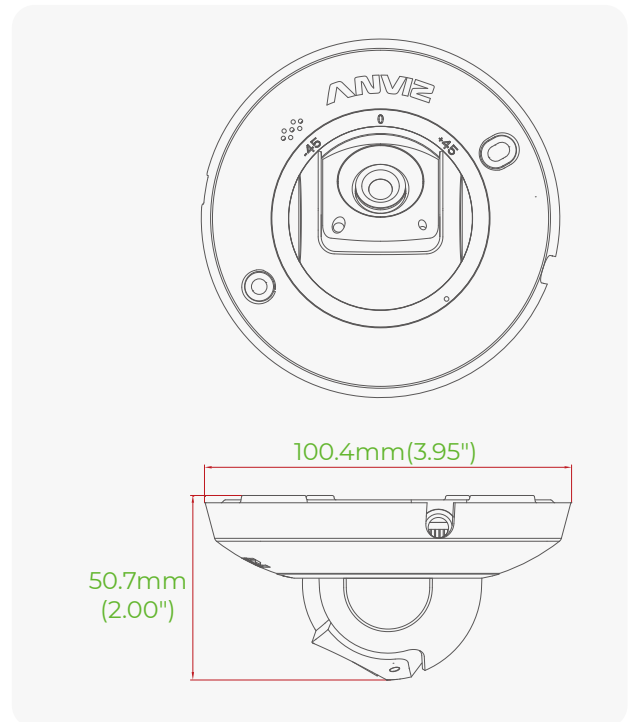
Provide accuracy alarms compared with traditional motion alarms to reduce manual supervision, by edge AI engine, include: Intrusion Detection, Line Crossing Detection, Region Entrance Detection, Region Exiting Detection, Loitering Detection.



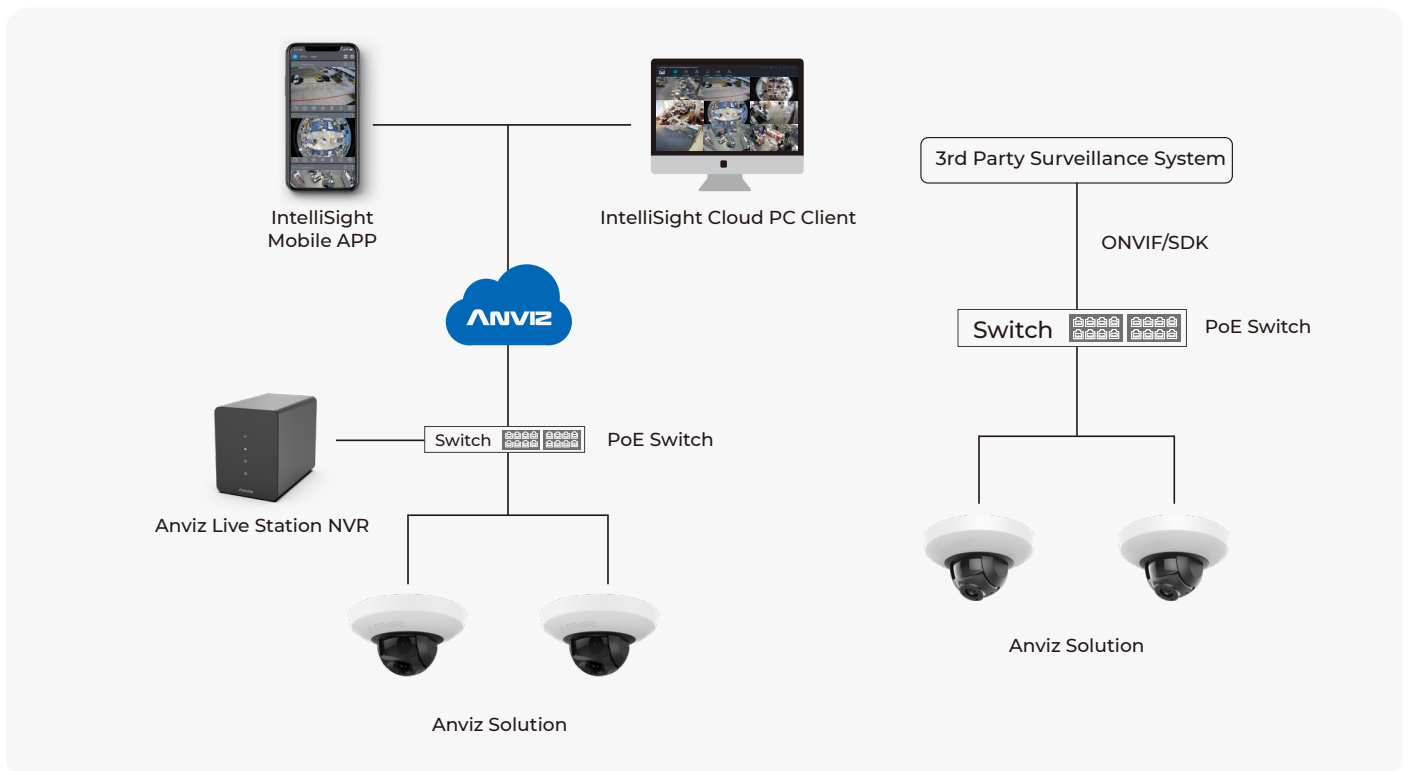
Edge Deep Learning Engine

Based on edge deep learning AI engine, camera provides multiple rules to detect Vehicle, Face, Pedestrian. Face Recognition and License Plate Recognition make a powerful AI camera for access management.

■ Product Dimensions



■ System Configurations



Anviz Global

32920 Alvarado-Niles Rd Ste 220, Union City, CA 94587

Toll-free: 1-855-268-4948 | sales@anziv.com | www.anziv.com

©2022 Anviz Global Inc. Anviz and identifying product names and numbers herein are registered trademarks of Anviz Global Inc. All non-Anviz brands and product names are trademarks or registered trademarks of their respective companies. Product appearance, build status and/or specifications are subject to change without notice.