

# iCam-B25

5MP AI IR Outdoor Bullet Network Camera



Wi-Fi



PoE



IP66



128G



H.264/  
H.265



Remote





Person/Vehicle  
Detection

iCam-B25 is an outdoor design bullet network camera with 5MP high resolution images and stylish design. The perfect combination of Intelligent Infrared and day/night conversion, greatly improve the visibility of night surveillance in low-light environments and easily reaching 20 meters long distance. The IP66 design ensures you the flexible installation in the outdoor environment. The iCam-B25 series supports standard H.264/H.265 and also the standard onvif protocol. The optional WiFi module(-W) offers wire-free operation and easy setup. The edge storage SD card slot can support up to 128GB micro SD card for edge storage. The device has built-in person detection and vehicle detection functions and you can easily get event alarm upon the Intellisight mobile APP.

# iCam-B25

5MP AI IR Outdoor Bullet Network Camera

## Specifications

Model	 iCam-B25	 iCam-B25W
<b>Camera</b>		
Image Sensor	1/2.7" 5 Megapixel Progressive Scan CMOS	
Shutter Time	1/3s ~ 1/10000s	
Minimum Illumination	Color: 0.1Lux @(F1.2, AGC ON)	
	B/W: 0Lux @(IR LED ON)	
Day/Night	IR-CUT with Auto Switch/Scheduled	
WDR	Support	
BLC	Support	
IR Range	20m	
<b>Lens</b>		
Focal Length	4mm(optional 6mm, 8mm)	
Mount Type	M12	
<b>Video</b>		
Video Compression	H.264, H.265	
Video Bit Rate	512kbps ~ 16mbps	
Resolution	Main Stream (2560*1920, 2048*1536, 1920*1080, 1280*960)	
	Sub Stream (640*480)	
Image Setting	Saturation, Brightness, Contrast, Sharpness	
Others	OSD, ImageFlip, 2D/3D DNR, Auto white balance	
Smart Events	Intrusion Detection, Line Crossing Detection, Region Entrance Detection, Region Exiting Detection, Loitering Detection	
Deep Learning Events	Vehicle Detection, Face&Pedestrian Detection, Face Match (-P), ANPR (-C)	
<b>Network</b>		
Protocols	TCP/IP, ICMP, HTTP, HTTPS, FTP, DHCP, DNS, DDNS, RTP, RTSP, RTCP, PPPoE, NTP, UPnP, SMTP, SNMP, IGMP	
Compatibility	ONVIF, GB28181, CGI API	
Management	Intellisight Cloud Desktop Software, IntelliSight Mobile APP	
<b>Interface</b>		
Ethernet	RJ-45 (10/100Base-T)	RJ-45 (10/100Base-T & WIFI)(802.11 b/g/n) (-W model)
Storage	Built-in SD card slot, supports MicroSD/SDHC/SDXC Slot, up to 128 GB	
Key	Reset	
<b>General</b>		
Power Supply	DC12V 1A/POE(IEEE 802.3af)	
Power Consumption	<6W	
Operating Conditions	-30°C to 60°C (-22°F to 140°F)	
Weather Proof	IP66	
Certifications	CE, FCC, ROHS	
Weight	315G	
Dimensions	Ø224.92*248.45mm (Ø8.86*9.78")	

# iCam-B25

5MP AI IR Outdoor Bullet Network Camera

## Features



### High Definition up to 5MP

5MP high resolution provides more detailed images of person, faces, and more.



### True Day/Night

The perfect combination of Infrared LEDs and automatic IR cut filter, greatly improve the visibility in dark and low light environment.



### Built-in Microphone

Built-in microphone can easily get the voice within 15 meters range.



### Smart Events

Provide accuracy alarms compared with traditional motion alarms to reduce manual supervision, by edge AI engine, include: Intrusion Detection, Line Crossing Detection, Region Entrance Detection, Region Exiting Detection, Loitering Detection.



### Edge Deep Learning Engine

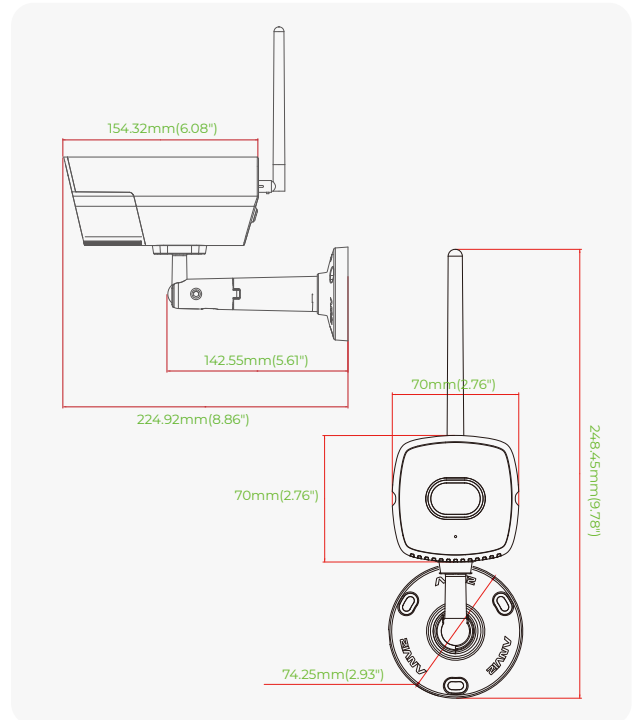
Based on edge deep learning AI engine, camera provides multiple rules to detect Vehicle, Face, Pedestrian. Face Recognition and License Plate Recognition make a powerful AI camera for access management.



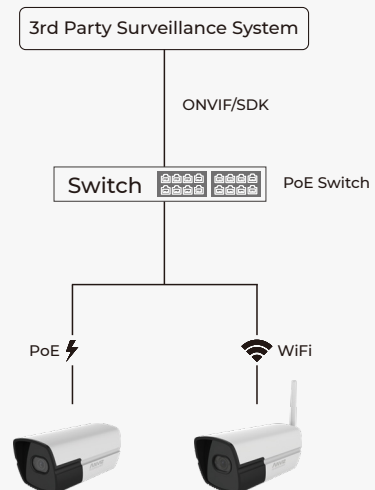
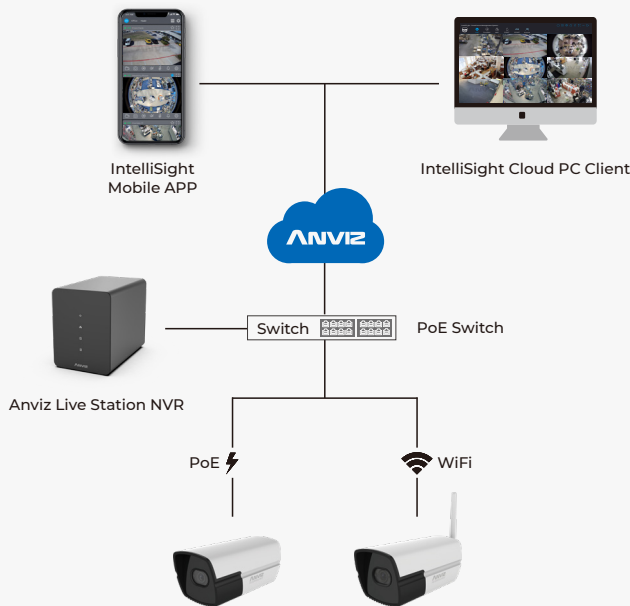
### IP66 Design

The IP66 design ensures the terminal can be installed at fully outdoor environment.

## Product Dimensions



## System Configurations



## Anviz Global

32920 Alvarado-Niles Rd Ste 220, Union City, CA 94587

Toll-free: 1-855-268-4948 |

[sales@anziv.com](mailto:sales@anziv.com) | [www.anviz.com](http://www.anviz.com)

©2022 Anviz Global Inc. Anviz and identifying product names and numbers herein are registered trademarks of Anviz Global Inc. All non-Anviz brands and product names are trademarks or registered trademarks of their respective companies. Product appearance, build status and/or specifications are subject to change without notice.