

ANVIZ OSDP Access Control Solution

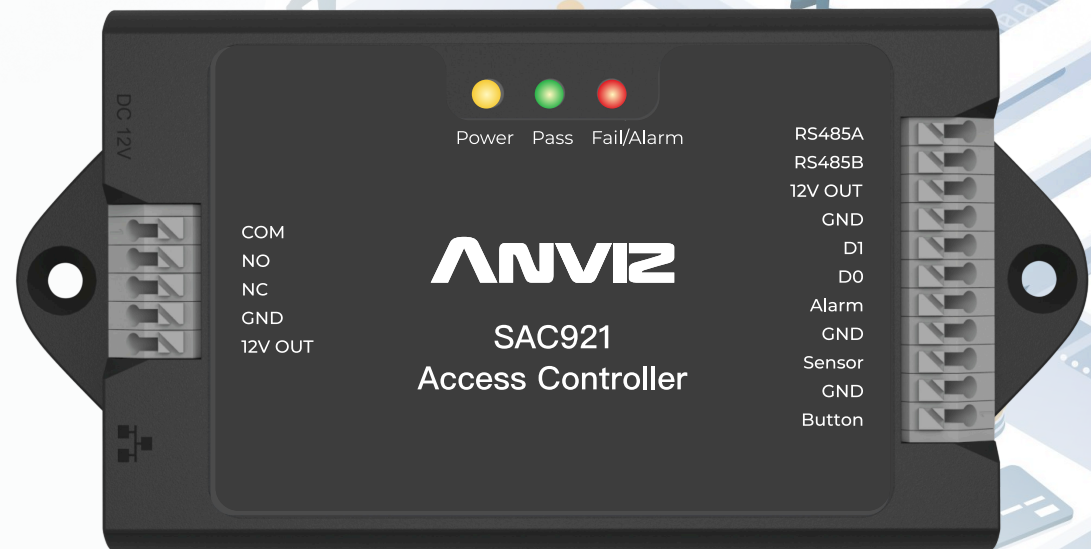
Flexible, Integrated, and Safer.

Overview

Anviz access control offers a streamlined, secure, and adaptable solution. Beginning with Anviz's access controllers, users can effortlessly and effectively oversee door access across their organization. The controllers can be compatible with the building's existing door hardware and readers.

Supports

30,000 Offline Events Storage
16 Access Groups & **32** Time Zones
3000 Cardholders



OSDP & FEATURES



◀ OSDP is more secure, and its channel supports high-end AES-128 encryption.



◀ OSDP uses 2 instead of 12 wires for multi-point installation and on-site device connections.



◀ Support more manufacturers, not subject to a single limit.

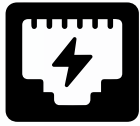


◀ Support advanced smart card technology and biometric recognition technology.



◀ 1200 meters transmission distance, supports bidirectional communication between devices.

SAC921 KEY FEATURES



PoE power supply



Web-based API port



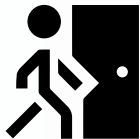
Support TCP/IP
and WiFi



With alarm input



Managed via the
web server



Anti-passback



Support staff expiration
date setting



Time Attendance &
Access Control
Management

SAC921 SPECIFICATION



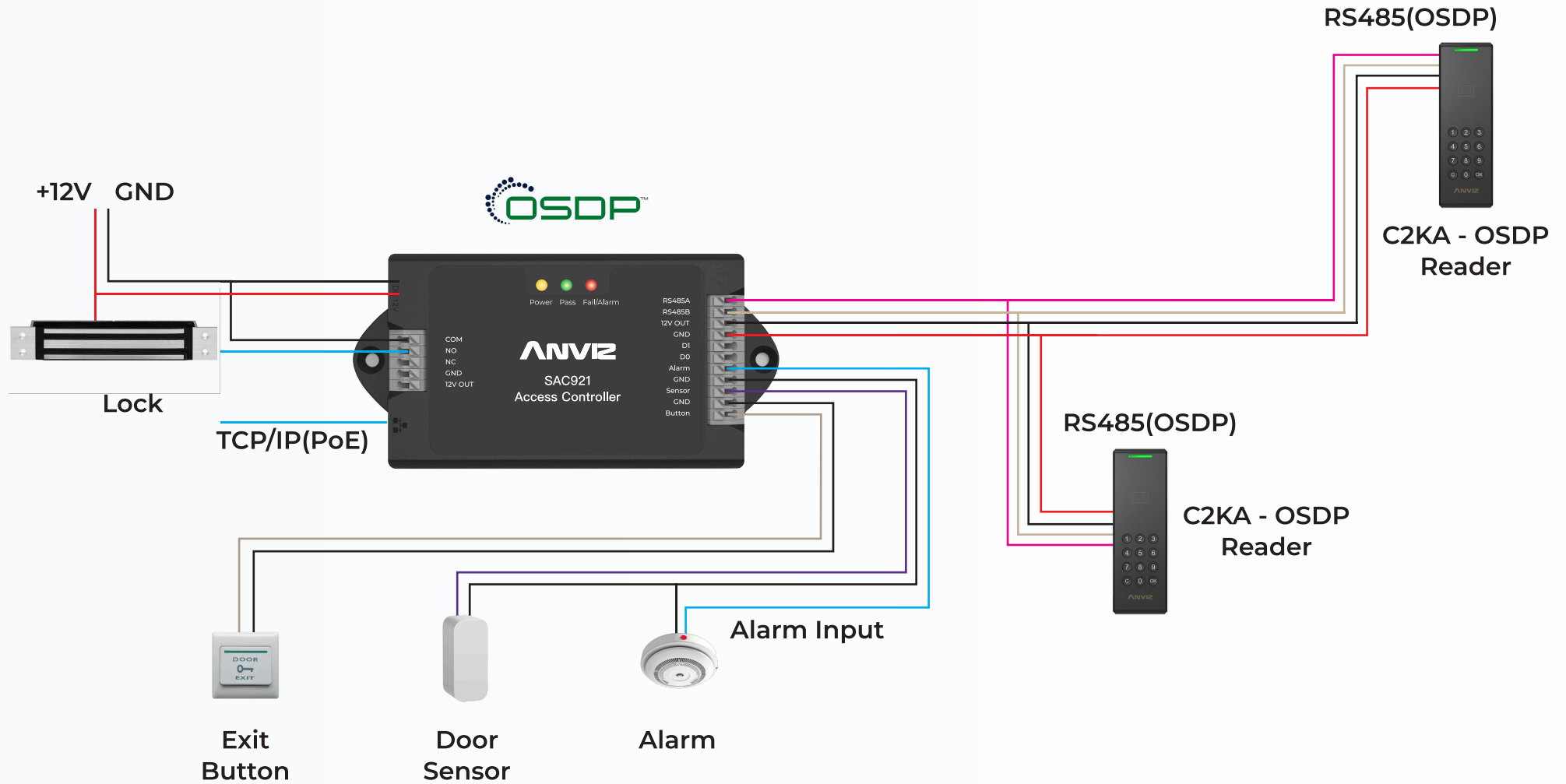
User Capacity	3000
Record Capacity	30,000
Access Group	32 Time Zones, 16 Access Groups
Access Interface	Relay Output * 1, Exit Button * 1, Alarm Input * 1, Door Sensor * 1
Communication	WiFi, TCP/IP, Wiegand, OSDP over RS485
CPU	1.0GHz ARM CPU
Working Temperature	-10°C~60°C (14°F~140°F)
Humidity	20% to 90%
Power	DC12V 1A / PoE 802.3af

READER SPEC & FEATURES



Model	C2KA OSDP
Communication	Wiegand, OSDP over RS485
Transmit Frequency	13.56Mhz & 125kHz
RFID Card Compatibility	125kHz EM 41xx Series, 13.56MHz ISO14443A (Mifare) CSN , Support Mifare Classic, Mifare Plus and DesFire EV1
Keypad	Yes (4X3)
Dimensions	50x159x25mm (1.97x6.26x0.98")
Working Temperature	-10°C~60°C (14°F~140°F)
Humidity	20% to 90%
IP Grade	IP65
Power	DC 12V 1A

CONNECTIONS & CONFIGURATION



ABOUT ANVIZ

Anviz Global is a converged intelligent security solution provider for SMBs and enterprise organizations worldwide. The company provides comprehensive biometrics, video surveillance, and security management solutions based on cloud, Internet of Things (IoT), and AI technologies.

Anviz's diverse customer base spans industries such as commercial, education, manufacturing, and retail. Its extensive partner network supports more than 200,000 companies to smarter, safer, and more secure operations and buildings.



COPYRIGHT ©2024 Xthings Inc. All right reserved.

Product specifications and availability are subject to change without notice. For the most up-to-date information, please visit www.anviz.com